

DALI Broadcast ZP module

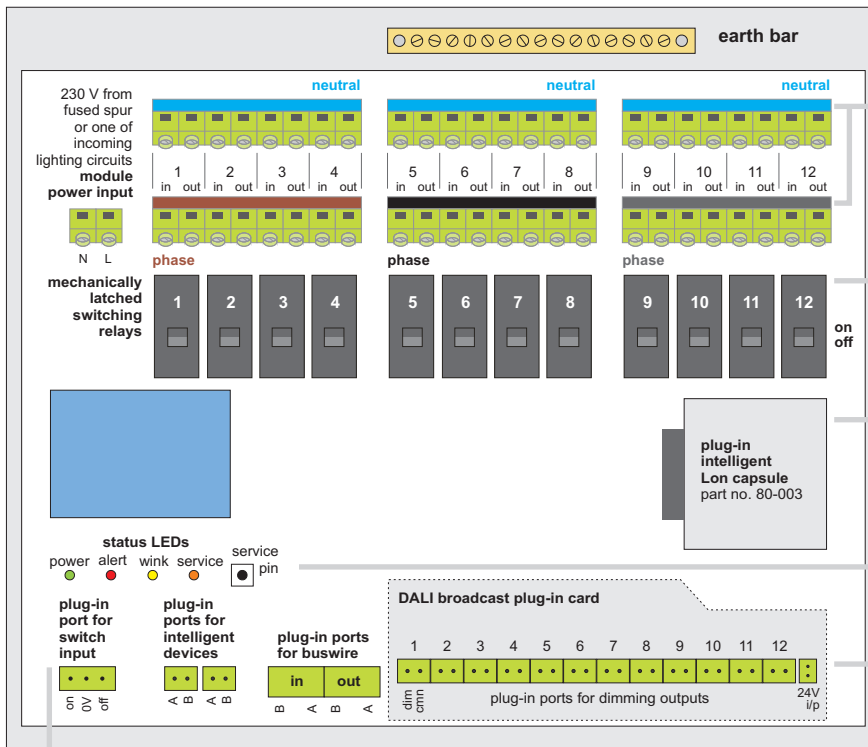
The module provides broadcast control of 12 Dali channels and provides energy-optimised Dali Zero Power switching of up to 12 lighting circuits feeding the lamps.

- 12 individually addressed DALI broadcast outputs
- 12 DALI Zero Power switched outputs avoids standby power consumption
- DALI lamp and ballast failure monitored individually and displayed per channel
- individual DALI emergency light testing and monitoring per DALI device
- fascia override switches enable manual on/off override of each relay output
- sensors and switches connect to intelligent buswire cable or DALI channel
- DALI without addressing feature avoids on-site addressing of ballasts
- reduces the time and cost of commissioning and simplifies maintenance



40

module features



robust, painted, galvanised steel enclosure with keyhole fixing for ease of mounting and quick-lock lid

mains termination zone for connection of incoming circuit Live & Neutral cables, and Neutral & Switched Live outputs to luminaires

twelve 20A mechanically-latched relays with on/off status indication and manual override - in the event of electronics failure relays maintain their last state and may be manually operated on and off from override switches accessible through the module lid

plug-in intelligent pod (80-003) provides distributed intelligence, stores module operational parameters and enables seamless integration with other Lon devices

diagnostic/status LEDs and service pin
 Power LED indicates 240V present
 Alert LED indicates fault condition
 Wink LED verifies comms - normally unlit
 Service LED flashes in fault mode
 Service Pin uploads module address

DALI Broadcast card provides twelve DALI Broadcast dimming outputs: each channel can connect to up to twenty DALI lamps/ballasts/drivers

DALI broadcast channel 1 (typical) - two core DALI bus (polarity insensitive) to lamps.

DALI Zero Power 230V output is taken from associated relay output terminals

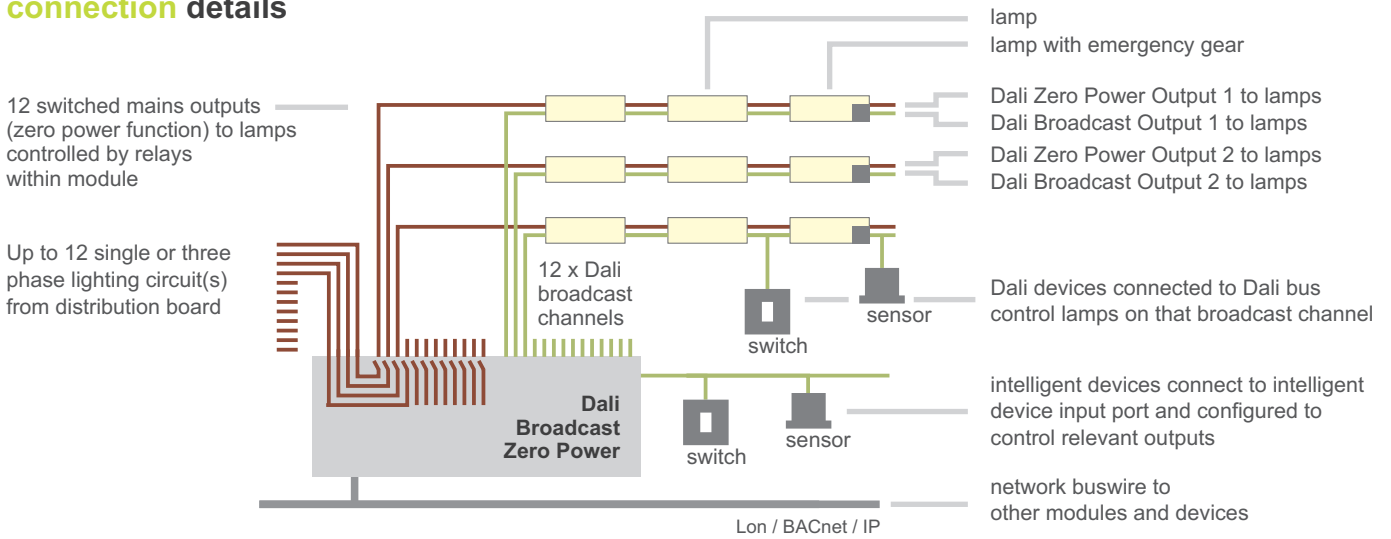
network Lon buswire to next module

network Lon buswire from router or previous module (two bus plugs supplied - plug ref. 91041)

switch input port for local switch (two way and off momentary-action type)
 Module supplied with three-pin plug ref. 91043.

two core cable from intelligent device input port to intelligent device inputs including sensors and switches

connection details



technical details

outputs

12 DALI broadcast channels feed up to twenty DALI ballasts per channel. Channel ports are pre-addressed so ballasts do not require on-site addressing.

12 DALI Zero Power Outputs 220-240V~50/60 Hz x 20 Amp single / three phase circuits: terminals accept 2 x 4 sq.mm cables

Dali monitoring

Module monitors individual lamp/ballast failure on each of the twelve DALI channels and displays lamp failures on a channel basis.

Module monitors individual Dali emergency lamps/devices on each of the twelve Dali outputs and displays emergency lamp and device failures on an individual basis.

Module accepts DALI sensors, switches, switch interfaces and Dali emergency devices on each of the twelve channels.

DALI sensors and switches connected to the two-core DALI channel bus control DALI lighting on that channel (max 1 sq.mm cable).

DALI emergency monitoring devices connect to any Dali channel bus and are individually monitored.

Module incorporates input ports for intelligent devices

DALI sensors and switches connected to these ports can be configured to control lamps across multiple broadcast channels.

Intelligent device input port accepts connection of up to 16 DALI switches/sensors (max 1 sq.mm cable with maximum 100m length).

local switch inputs

1 plug-in port (3-pin) for connection of conventional monetary action switch

1 plug-in port (2-pin) for connection of intelligent devices including Dali sensors & switches (max 1 sq.mm cable).

network Lon bus inputs

2 plug-in ports for twisted pair Lon network bus connection.

buswire specification

for latest buswire specifications and cable lengths refer to Buswire Specification data sheet

diagnostic LEDs

Power LED - shows secondary power circuit operational.

Alert LED - indicates short on the sensor bus or issue with Communication card.

Wink LED - winks when instructed through software

Service LED - indicates fault mode.

Lon specification



FT5000 Neuron and FTX3 transceiver conforms to LonMark 3.4 profiles:

12 switch objects	# 3200
12 light sensor objects	# 1010
12 occupancy sensor objects	# 1060
12 open-loop actuator objects	# 0003
12 occupancy controller objects	# 3071
12 light controller objects	# 3050

construction

painted galvanised steel enclosure finished RAL 7035

ambient temperature / relative humidity

0 to +50°C / 20% to 90% non condensing

dimensions (mm)

330 w x 380 h x 70 d