

product ref: 205D2

sheet 1/2

Delmatic's DALI-2 Buswire One DIN module provides powerful DALI-2 Buswire control within a compact DIN enclosure. The module individually addresses and monitors up to 64 DALI devices as well as enabling the connection of 16 DALI sensors and switches.

- individual addressing and monitoring of up to 64 DALI drivers
- also accepts the connection of an additional 16 DALI sensors and switches
- individual DALI lamp and driver failure monitoring
- individual DALI EmPro emergency light testing and monitoring
- DALI-2 sensors, switches and emergency devices connect to the DALI bus
- designed for DIN-rail mounting as individual or multiple units

DALI drivers and devices such as sensors and switches connect to a shared two-core buswire or flexible conduit installation. 230V power wires direct to the DALI luminaires and the DALI bus can run alongside mains cables or as part of a five core cable.

Multiple power supplies to the luminaires are possible but because DALI is not SELV they should be limited to single phase.



module features

diagnostic LEDs, service and test pins

TX (transmit) LED shows data transmitted to Lon network

RX (receive) LED shows data received from Lon network

SRV (service) LED lights when service pin is pressed and flashes if module has no application software

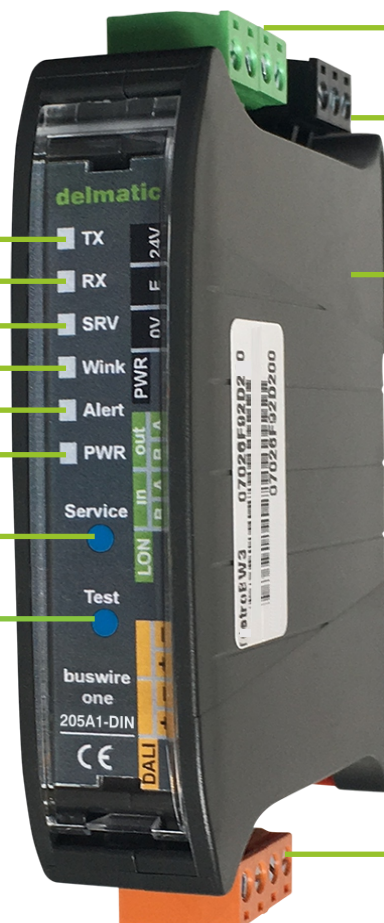
Wink LED winks when instructed by software

Alert LED lights to indicate a short on the DALI bus

PWR (power) LED indicates module is powered up

Service Pin uploads module address

Test Pin: pressing for 2 seconds sends an on/off/dimming command to all DALI drivers enabling the operation of lights and drivers to be verified.



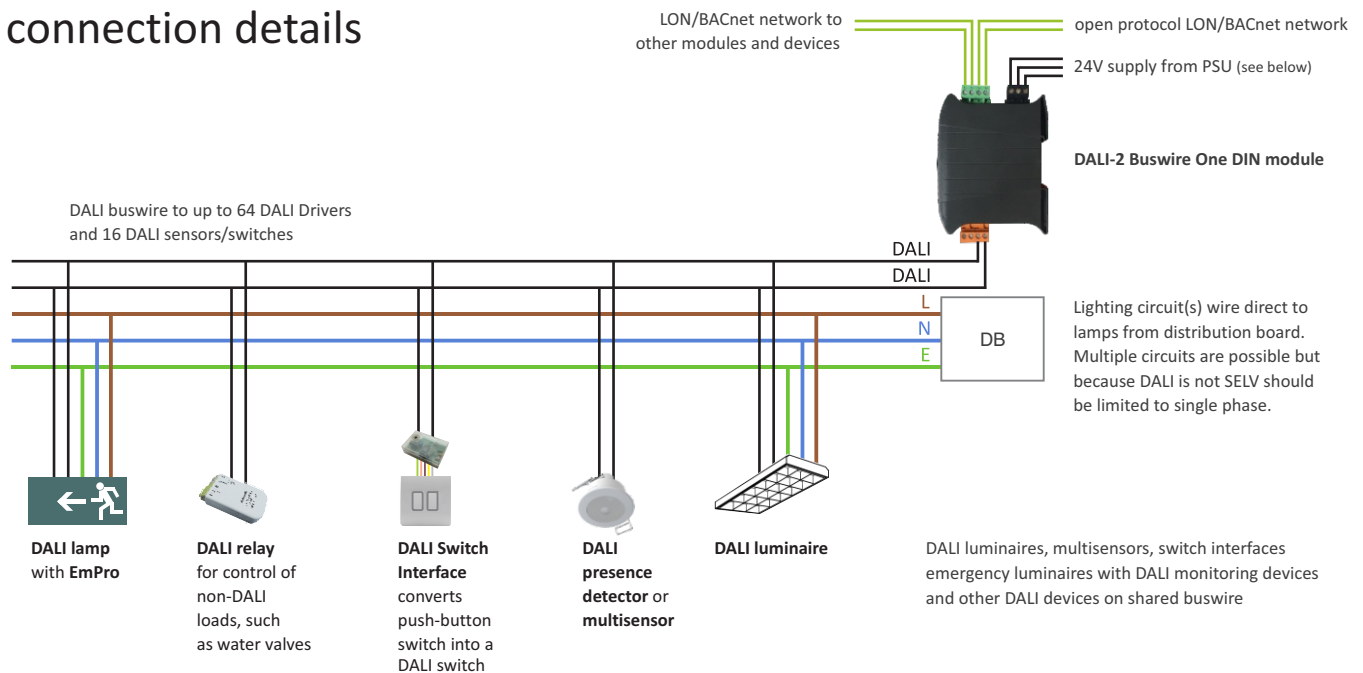
Lon terminals - plug-in terminals for connection of two core Lon bus IN (from previous module) and OUT (to next module).

Power terminals - for 24V, 0V (common) and Earth connection from 24V PSU (supplied).

DALI-2 Buswire One DIN module hosts distributed intelligence, stores module operational parameters and enables seamless integration with other LON and BACnet devices.

DALI-2 terminals - DALI terminals for connection of two core DALI buswire to up to 64 DALI drivers and EmPros plus 16 DALI devices (sensors and switches). DALI-2 buswire connects to D+ & D- (two ports operate in parallel).

connection details



technical details

DALI-2 Buswire One DIN module

outputs

DALI-2 buswire output manages/monitors up to 64 DALI drivers/emergency devices plus 16 DALI sensors and switches.

DALI monitoring

Module monitors individual lamp/driver failure for up to 64 DALI devices.
Module monitors individual DALI EmPro devices.

DALI bus connection

Two 2-pin ports for DALI bus (max 1.5 sq.mm cable): ports operate in parallel.

network Lon bus inputs

2 plug-in ports for twisted pair Lon network bus connection.

buswire specification

Refer to Buswire data sheet for buswire specifications and cable lengths.

supply voltage

1 x 24V input from power supply unit (supplied as part of the DALI Buswire One DIN module).

dimensions (mm)

DALI-2 module
23 mm (w) x 115 mm (h) x 80 mm (d)
allowance needs to be made to height for cable entry and radius.

metal enclosure

213 mm (w) x 190 mm (h) x 93 mm (d)
the enclosure can accept up to five DALI-2 Buswire DIN modules and the associated PSU.

diagnostic LEDs

Diagnostic LEDs for Power, Alert, Wink, Service, RX and TX.

construction

flame-retardant low smoke housing.

Power Supply Unit

for single DALI-2 Buswire One units
10W DIN rail mounted power supply
PSU dimensions 23 mm (w) 90 mm (h) x 100 mm (d)

for up to five DALI-2 Buswire One units
40W DIN rail mounted power supply
PSU dimensions 40 mm (w) 90 mm (h) x 100 mm (d)